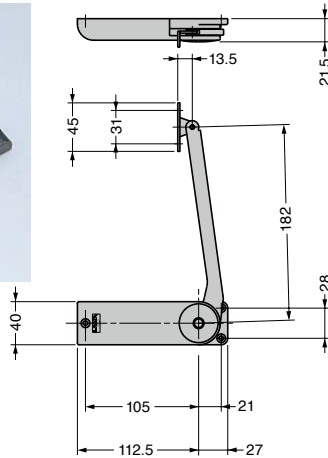


OVER THE TOP FLIPPER DOOR MECHANISM (W/ LIFT-ASSIST) GS-OV-EZ



Opening Direction	Item Name	Description	Door Width	Door Height	Door Thickness	Door Weight
Over the Top	GS-OV-EZ-3		600 ~1200	370 ~450	Min. 15	2.5~6.5 kg
	GS-OV-EZ-5	Lift-assist				3.5~8.0 kg
	GS-OV-EZ-7	Soft-close				4.5~10.0 kg
	GS-OV-EZ-9					5.5~11.5 kg

- Patented Lapcon mechanism controls door opening and closing softly and smoothly.
- Lift-assist function allows extra-light opening.
- Storing the door horizontally on the top board maximises space inside of the cabinet.



[Specifications]

- Operating temperature: 5°C~35°C

[Remarks]

- Be sure to read the "Cautions"
- 2 pcs of C1315 rail (sold separately) are necessary for 1 cabinet. Select required rails depending on travel length.
- Use either bumper or angle stopper (sold separately) for impact and noise prevention.
- Ensure that the door centre of gravity is at the centre of door.
- Operating range is for reference only. Confirm the movement with actual item.

Video Link



[Parts Included]

- Binding head tapping screw 3.5x 16

[Sold Separately]

- GS-C1315 rail

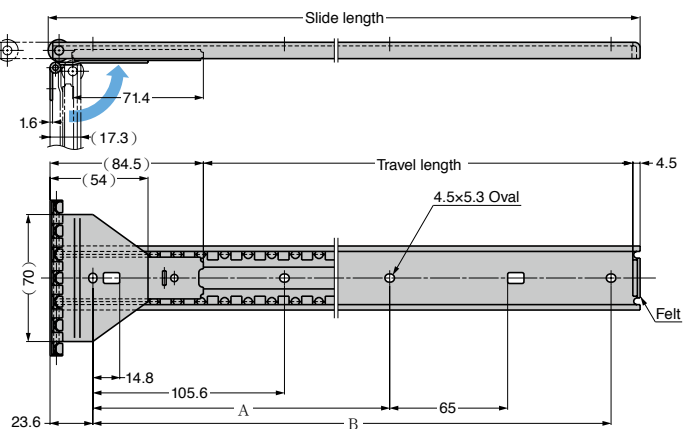
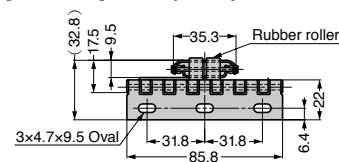
[Body] 1 pair

Item Name	Material	Finish/Colour	Door Weight kg ※for Lift-assist Function	Door Weight kg ※for Free Stop Function	Door Width	Door Height	Door Thickness	Weight (g)
OV-EZ-3	ABS/ Steel	Nickel/ Black	2.5~4.0	4.0~6.5	600~1200	370~450	Min.15	564
OV-EZ-5			3.5~5.0	5.0~8.0				538
OV-EZ-7			4.5~6.0	6.0~10.0				600
☆OV-EZ-9			5.5~7.0	7.0~11.5				-

☆Made to order

※ In case of each 1 pc for left and right and door height 380mm (including rail weight).

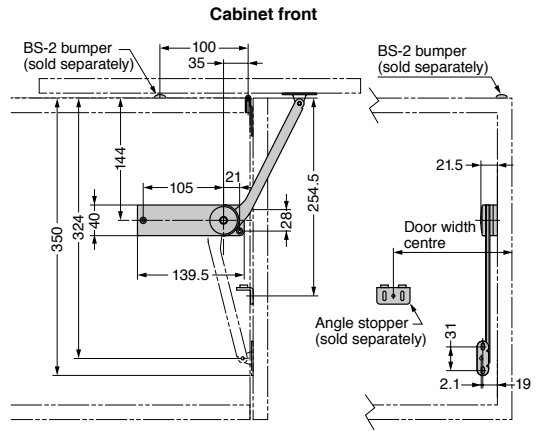
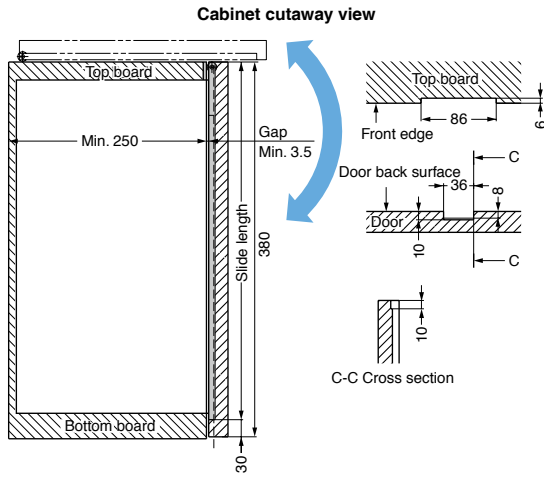
[C1315 Rail] Sold Separately



Item Name	Material	Finish	Slide Length	Travel Length	A	B	Weight (g/pc)
GS-C1315-14	Steel	Clear Zinc Chromate	350.6	262	186.7	310.5	320
GS-C1315-18		(Trivalent)	450.6	362	286.7	410.5	390

2 rails are required when using GS-OV-EZ. Select required rails depending on travel length.

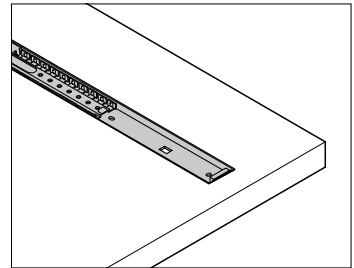
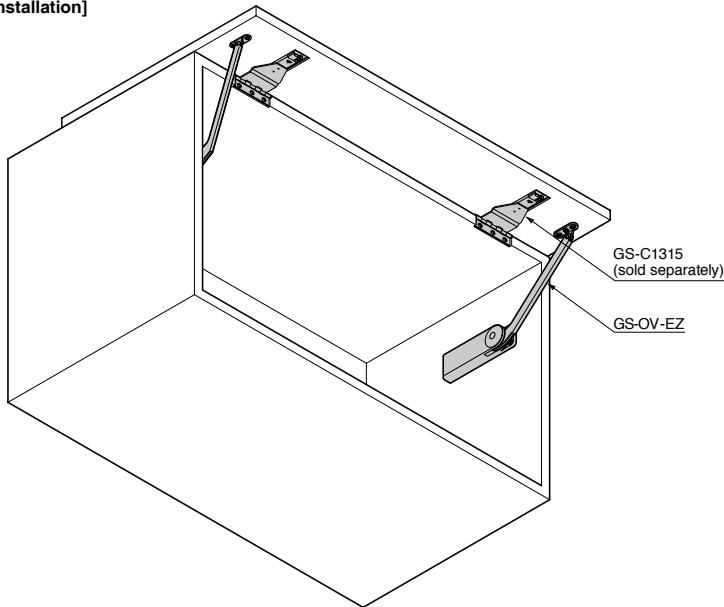
[Cut Out Dimensions]



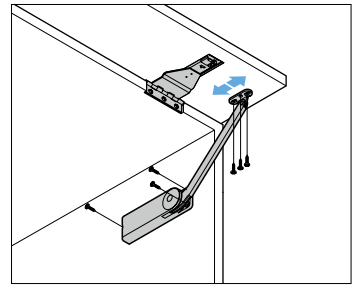
Dimensions shown for door height 380mm.

- Above is the installation drawing when the travel length of rail GS-C1315-14 is 260mm. Installation position changes with the travel length of rail. Choose either BS clear bumper or angle stopper (sold separately).

[Installation]



- Install GS-C1315 rail.



- Mount the GS-OV-EZ mechanism to the side walls of the cabinet.